



Electrical loads such as motors can cause electrical systems to be very inductive, which results in very 'lagging power factor' i.e. wastage of energy. The simple solution to maintain the power factor in required range is to connect or disconnect the power factor correction capacitors. Manual switching is just impossible for rapidly fluctuating loads and hence an automatic control system is required which continuously monitors the power factor and make appropriate corrections to maintain it within the required range.

OUR OFFERING

Digital Reach provides complete IoT gateway / controllers from data acquisition, transmission (3G/LTE/Wi-Fi) and computing in order to help our customers use intelligent systems using our extensive resources. Customers can focus on their smart applications with minimal system integration effort. Our solution offerings & services are fully compatible with most of the applications and provide all the components customers need for building an intelligent system.

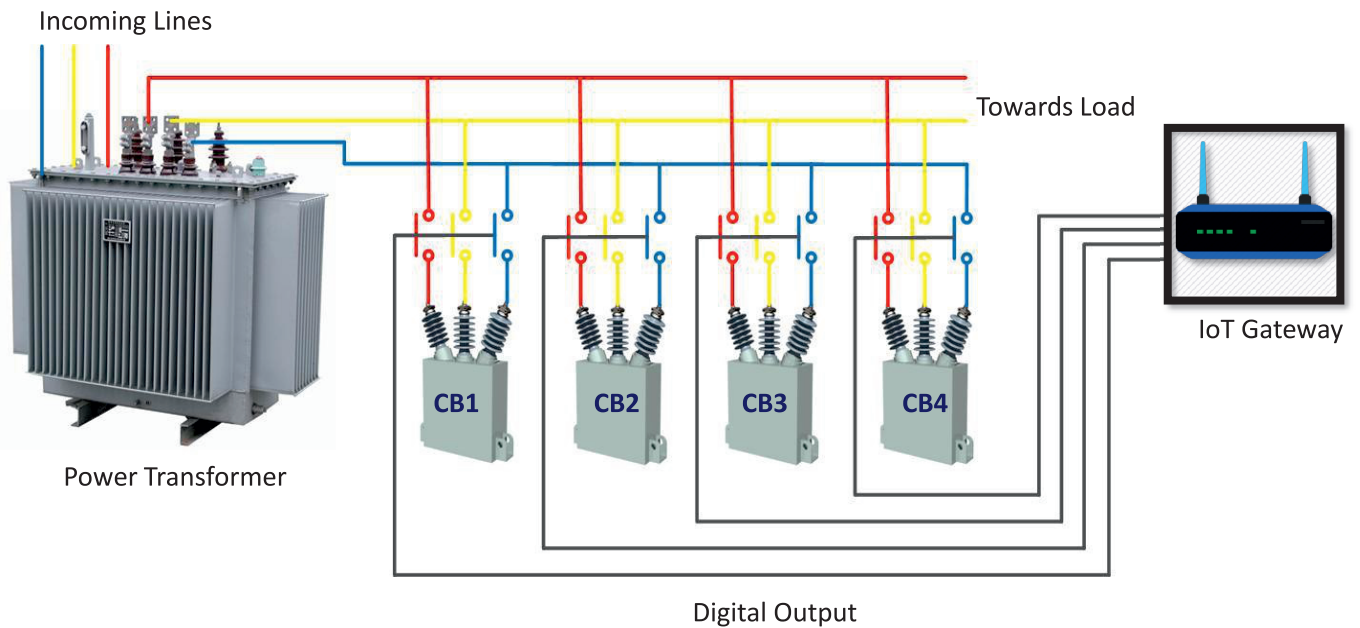
IOT GATEWAY BASED POWER FACTOR CONTROLLER WITH SPECIAL FEATURES

- ⇒ Accuracy of +0.8% for Reactive Power, + 0.5% for Current 4 steps to operate Capacitor Circuits.
- ⇒ Precise and quick relay controls
- ⇒ Monitoring of harmonic levels continuously with alarm and safety trip facility.
- ⇒ Zero voltage & Zero current tripping with alarm signals.
- ⇒ Manual/Automatic operation with ability to switch each individual Capacitor.

BENEFITS

- ⇒ Reduction in MD kVA
- ⇒ Reduction in kWhr Consumption
- ⇒ Reduction in kVAHr Charges
- ⇒ Avoidance of PF Penalty
- ⇒ Availing PF Incentive
- ⇒ Reduction/Avoidance of End Termination Darkening or Burn Outs
- ⇒ Reduction/Avoidance of Motor Winding Failures
- ⇒ Improved System Performance due to Healthy Voltage
- ⇒ Low Electric Break Downs/ Reduced Plant Down Time

APFC



ABOUT US

Digital Reach is an IoT based solution company. We are experts in combining technical knowledge and insights from our extensive experience in the field to create Internet of Things (IoT) solutions, with our strong focus on innovation and integration with customer domain expertise. We create monitoring and control products and solutions that improve processes and services for our customers.

With our expertise is in embedded hardware development, embedded software development, system integration and project execution, in everything we do, we apply our values of respect and honesty through a commitment to teamwork and a high degree of responsibility to our customers, not only to satisfy but also to exceed our customer's expectations.



Digital Reach Pvt Ltd

502, Venus Atlantis, Prahlad Nagar, Ahmedabad 380015.
Mobile: 919898052205 | **Email:** sales@digireach.com
Website: www.digireach.com